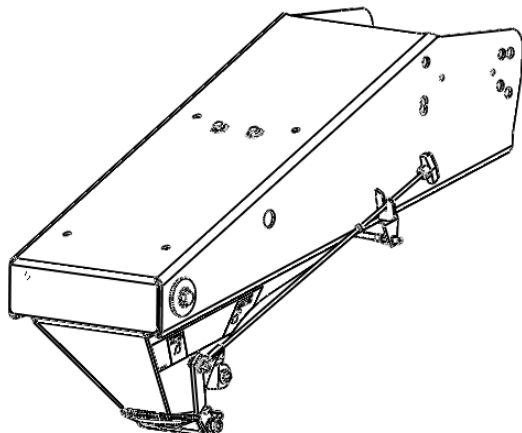


Goose Box Safety Chain Kit 20K

WARNING: Under no circumstances should the towing vehicle manufacturer's recommended vehicle towing capacity be exceeded. Failure to follow instructions for installation and use may cause property damage, injury or death.

READ ALL INSTRUCTIONS BEFORE STARTING THE INSTALLATION OR USE



Equipment Required:

Fastener Kit: 49151F

Wrenches: 13/16"

Drill Bits: Not Required

Misc.: 13/16" Socket & Torque Wrench

INDEX

1. Explosion, Parts Identified, Instructions P. 1
2. 5 Year Limited Warranty P. 2

Item Number	Quantity	Description
1	Qty. 1	Goose Box (94623 or 94720)
2	Qty. 2	44" Chain w/Hook (125777)
3	Qty. 2	9/16 Split Lock Washer (01129009)
4	Qty. 2	9/16-12 Nut Grd.8 (126244)
5	Qty. 2	9/16-12x2.5 Grd.8 Bolt (125775)
6	Qty. 2	9/16 HS Flat Washer (5213) *Small
7	Qty. 2	9/16 Flat Washer (01160009) *Large

NOTE: For any questions, please

- Scan QR code
- Visit <https://qr.towingproducts.net>
- Or call Technical Service at: 1-800-632-3290



DEALER/INSTALLER:

1. Provide these Instructions to end user

END USER:

1. Read and follow these Instructions for the Reese Goose Box Safety Chain Kit Installation.
2. Save these instructions for future reference.
3. Pass on copies of the instructions to any other users or owner.

Do Not Exceed Lower of Towing Vehicle Manufacturer's Rating, Trailer Manufacturer's Rating or

Max Gross Trailer WT (LB)	Max Pin WT (LB)
20,000 LB	4,000 LB

Installation Procedure:

1. Locate safety chain mounting lugs on the underside of Goose Box, as shown in Figure 1.
2. Install bolt through lug as shown.
3. Place last link of chain over bolt. Position flat washer, HS flat washer, split lock washer, and hex nut onto bolt.
4. Tighten bolt, torque to 110 Ft. Lbs. Repeat on other chain.

Figure 1

