

These instructions contain **IMPORTANT** safety information. Please read and keep for future reference.

WARNING

READ and FOLLOW all instructions and safety messages before using the Adjustable Utility Ball Mount. To reduce the risk of serious injury or death to you, your passengers, and others on the road:

DO NOT TOW MULTIPLE TRAILERS

- Do not attempt to tow any type of trailer behind another trailer. Towing multiple trailers may cause severe instability, loss of control and/or structural failure, and may result in vehicle accident, property damage and personal injury. Towing multiple trailers is illegal in many jurisdictions.

TOWING TIPS

- **DRIVING:** Good habits for normal driving need extra emphasis when towing. The additional weight affects acceleration and braking, and extra time should be allowed for passing, stopping, and changing lanes. Signal well in advance of a maneuver to let other drivers know your intentions. Severe bumps and badly undulating roads can damage your towing vehicle, hitch, and trailer, and should be negotiated at a slow steady speed.

IF ANY PART OF YOUR TOWING SYSTEM "BOTTOMS" OUT, OR IF YOU SUSPECT DAMAGE MAY HAVE OCCURRED IN ANY OTHER WAY, PULL OVER AND MAKE A THOROUGH INSPECTION. CORRECT ANY PROBLEMS BEFORE RESUMING TRAVEL.

CHECK YOUR EQUIPMENT

- Periodically check the condition of all your towing equipment and keep it in top condition.

TRAILER LOADING

- Proper trailer loading is important. Heavy items should be placed close to

the floor near the trailer axle. The load should be balanced side-to-side and firmly secured to prevent shifting. Tongue weight should be about 10–15 percent of the gross trailer weight for most trailers. Too low a percentage of tongue weight will often produce a tendency to sway.

TIRE INFLATION

- Unless specified otherwise by the towing vehicle or trailer manufacturer, tires should be inflated to their maximum recommended pressure.

TOWING VEHICLE AND TRAILER MANUFACTURERS' RECOMMENDATIONS

- Review the owners' manuals for your towing vehicle and trailer for specific recommendations, capacities, and requirements.

PASSENGERS IN TRAILERS

- Trailers should **NOT** be occupied while being towed, under any circumstances.

TRAILER LIGHTS, TURN SIGNALS AND ELECTRIC BRAKES

- Always hook up trailer lights, turn signals, electric brakes and break-away switch connection (if so equipped) even for short trips.

REMOVE HITCH WHEN NOT TOWING

- Remove hitch from towing vehicle receiver when not towing to reduce chance of striking hitch on driveway ramps or other objects and minimize damage in the event of a rear-end collision.

- Drop Range 4.25" to 7.25"
- Rise Range 5"
- Weight Carrying Capacity
Drop – 7500 GTW / 750 TW
Rise – 3500 GTW / 350 TW
- Length 10.25"
- Hitch Ball Hole Size – 1"
- Shank 2" x 2"
- Not for use with weight distribution systems



INSTALLATION INTRUCTIONS

Before mounting the REESE Tactical Adjustable Utility Ball Mount, confirm that there will be no interference from the tow vehicle and any other mounted accessories. Check for interference again after installation is complete.

1. HITCH BALL SELECTION — Ball diameter must match trailer coupler size. This product must use Tactical Hitch Balls.

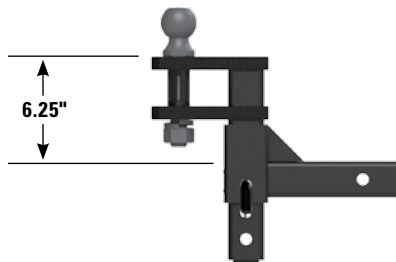
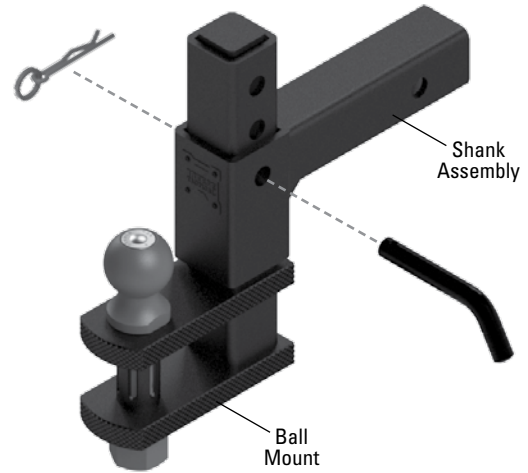
⚠WARNING! Raised balls usually have reduced load ratings. Ball rating must equal or exceed trailer GVWR.

2. ATTACH BALL TO MOUNT — REESE standard height hitch balls with 1" shank are supplied with lockwashers and nuts. Always use a lockwasher and place washer next to nut. Unless otherwise specified by ball manufacturer, torque ball nut to 250 ft/lbs. for 1" nut after mount is attached to hitch.

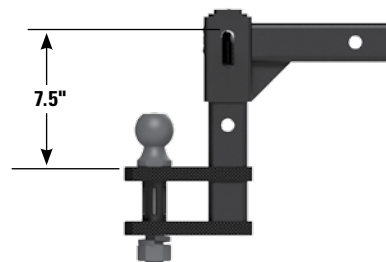
3. ADJUST BALL HEIGHT — Insert hitch bar into hitch box and install pull pin. Place mount onto hitch bar; move up or down for proper height. The holes are 1.50" apart. Hitch bar may be used either up or down.

⚠WARNING! There is only one Rise position for this product and is shown below.

4. Always offset ball mount toward tongue of trailer. Never toward tow vehicle.



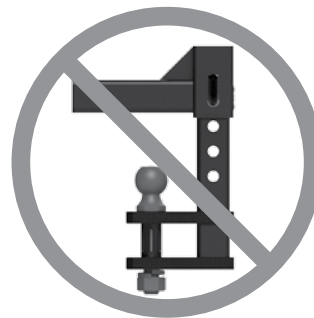
HIGHEST RISE POSITION



LOWEST DROP POSITION



DO NOT USE BALLMOUNT IN THIS POSITION.



DO NOT USE BALLMOUNT IN THIS POSITION FOR TOWING. THIS POSITION SHOULD BE USED FOR STORAGE ONLY.

WARRANTY**ONE (1) - YEAR LIMITED WARRANTY**

- 1 **Warranty.** Horizon Global warrants to the original consumer purchaser ("You") that the Product will be free from defects in material or workmanship for one year from the date of your retail purchase. Horizon Global makes no other warranties. If the Product does not comply with the Warranty, Horizon Global will replace the Product without charge and within a reasonable time or, at Horizon Global option, otherwise refund the purchase price.
- 2 **Limitations on the Warranty.** The Warranty does not cover the following: (a) normal wear and tear; (b) service or labor charges incurred in removing or replacing any Product; (c) the finish on the Product; (d) a Product that has been damaged through abuse, neglect, misuse or as a result of any accident or in any other manner; (e) a Product which is misapplied, overloaded or improperly installed; and (f) a Product altered in any manner by anyone other than Horizon Global.
- 3 **Obligations of Purchaser.** To obtain the benefits of the Warranty, You must promptly present the defective Product and proof of purchase to Horizon Global, 47912 Halyard Dr., Suite 100, Plymouth, MI 48170 or any of its branches, factories, or authorized dealers listed in local directories. Any returned Product that is replaced or refunded becomes the property of Horizon Global.
- 4 **Legal Rights.** This Warranty gives You specific legal rights, and You also may have other rights which vary from state to state. ANY IMPLIED WARRANTY OF MERCHANTABILITY OR FITNESS FOR A PARTICULAR PURPOSE ON ANY PRODUCT SHALL BE LIMITED TO ONE YEAR FROM THE DATE OF RETAIL PURCHASE BY YOU. Some states do not allow limitations on how long an implied warranty lasts, so the above limitation may not apply to You.
- 5 **Remedy Limits.** Replacement of the Product or refund in the manner provided above is Your exclusive remedy and shall constitute fulfillment of all liabilities of Horizon Global to You whether based on contract or otherwise. Horizon Global shall not be liable or assume responsibility for the loss of the use of any vehicle, loss of time, rental of vehicles, loss or damage to personal property, expenses such as gasoline, telephone, lodging or towing, or any other incidental or consequential damages incurred as a result of the use or ownership of any Product. Some states do not allow the exclusion or limitation of incidental or consequential damages, so the above limitation or exclusion may not apply to You. Any of the above remedy limitations shall be inoperative to the extent they are not permitted by applicable state law.

 **WARNING**

The attachment of this product is critical and beyond the control of Horizon Global. Horizon Global is NOT responsible for the attachment nor the installation. It neither guarantees, nor will it be liable for any damage resulting from its attachment or improper use. The liability of this product is limited to its purchase price if it proves to be defective in material and/or workmanship. Warranty information available upon request. Warranty void if hardware is damaged or worn.